

Ref: 39.007

Features:

- Constant voltage design
- Universal AC input / full range
- Withstand 300Vac surge input for 5 seconds
- Protections: short circuit / overload / over voltage
- Fully isolated plastic case
- Pass LPS
- Degree of protection: IP67
- Protection class II



| | | |
|-------------|------------------------------|---|
| Output | Power | 60W |
| | Voltage (V) | 12V |
| | Rated current | 5A |
| | Current range | 0 ~ 5A |
| | Ripple and noise (max.) | 120mV |
| | Voltage tolerance | ± 5.0% |
| | Line regulation | ± 1.0% |
| | Load regulation | ± 2.0% |
| | Setup, rise time | 500ms, 20ms / 230VAC - 500ms, 20ms / 115VAC at full load |
| | Hold up time | 50ms / 230VAC - 16ms / 115VAC at full load |
| Input | Voltage range | 90~264VAC - 127~370VDC |
| | Frequency range | 47~63Hz |
| | Efficiency | 83% |
| | AC current | 1.2A / 115VAC - 1A / 230VAC |
| | Inrush current | cold start 60A (twidth=525µs measured at 50% Ipeak) at 230VAC |
| | Circuit breaker | 3 units (circuit breaker of type B) / 6 units (circuit breaker of type C) at 230VAC |
| | Leakage current | 0.25mA / 240VAC |
| Protection | Overload | 110 ~ 150% |
| | Over voltage | 13.8 ~ 16.2V (shut down o/p voltage, re-power on the recover) |
| Environment | Working temperature | -30 ~ +70°C |
| | Working humidity | 20 ~ 90% RH non-condensing |
| | Storage temperature humidity | -40 ~ +80°C, 10 ~ 95% RH |
| | Temperature coefficient | ± 0.03% °C (0 ~ 50°C) |
| | Vibration | 10 ~ 500Hz, 2G 10min / 1cycle, period for 60 min. each along X, Y, Z axes |
| | Degree of protection | IP67 |
| Other | MTBF | 732K hrs min. MIL-HDBK-217F (25°C) |
| | Dimension | 162.5x42.5x32mm |
| | Packing | 1 unit |
| | Guarantee | 2 years |



Assembly and Safety Information

Applied standards CE:

- EN 62368-1
- EN 61000-3-2
- EN 61000-3-3
- EN 61000-4-2
- EN 61000-4-3
- EN 61000-4-4
- EN 61000-4-5
- EN 61000-4-6
- EN 61000-4-8
- EN 61000-4-11
- EN 55032
- EN 55024
- EN 55035

Applied standards CB:

- IEC 62368-1

Applied standards UL:

- UL 879
- UL1310
- UL 1015
- UL 1007

Measurements:

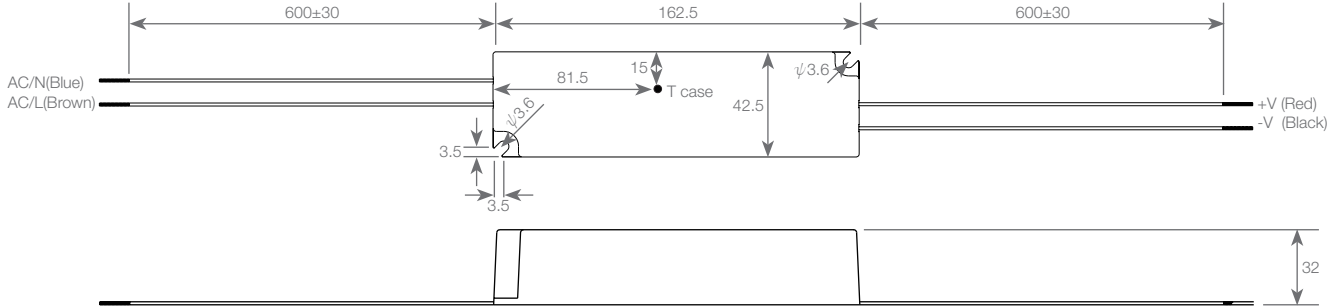
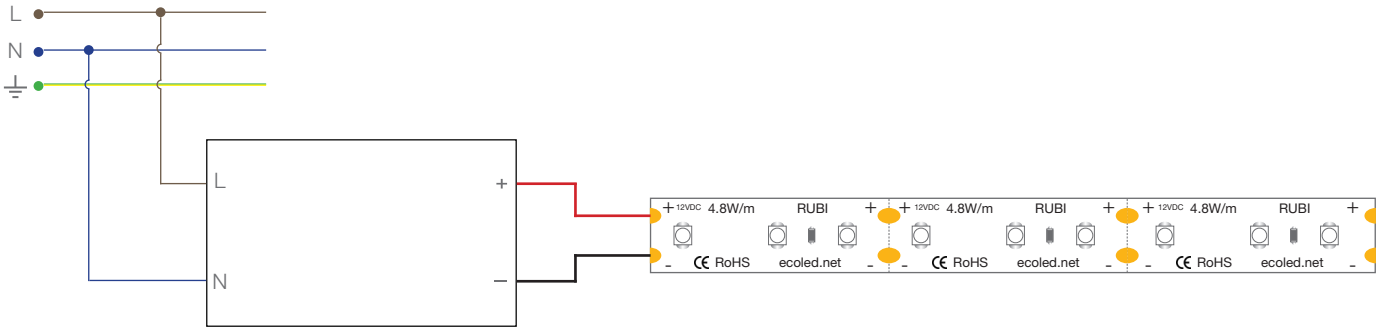
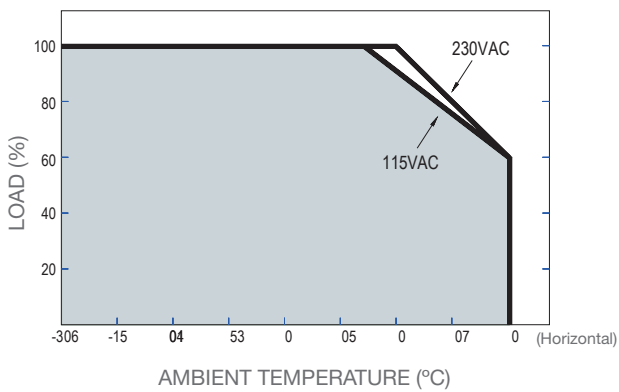


Diagram:



Type performance graphs

Derating Curve



Static Characteristics

